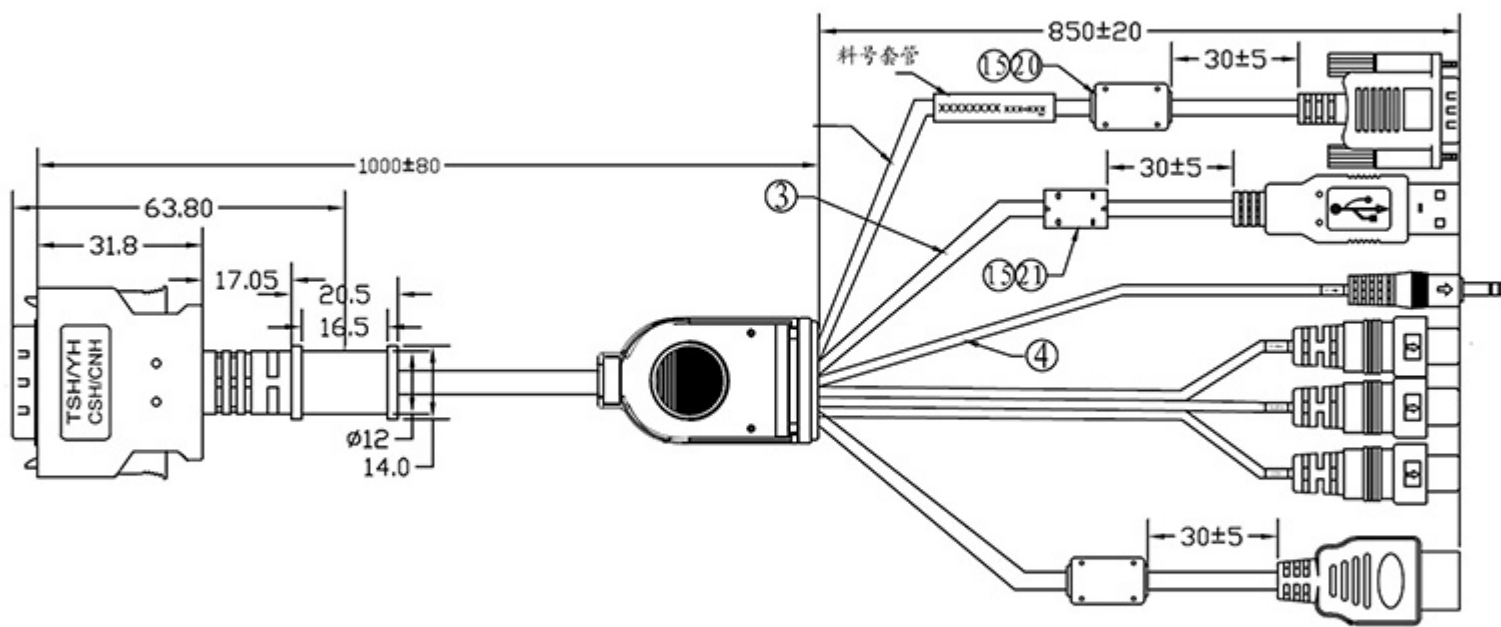


CABLE-IP-26P-TSH 26-PIN TSH/CSH/CNH/GSH Series Monitor HDMI, VGA, DVI & AV Input Cable - 1.8M



Description

26-PIN Standard Length **1.8 Meter (5.91ft/180cm)** TSH/CSH/CNH/GSH Monitor HDMI, VGA, DVI & AV Input Cable for 700TSH, 700CSH, 702CSH, 702GSH, 709CNH, 709GNH, 800TSH, 802TSH, 1020TSH, 1022TSH, and 1029CNH. Note: Only works with the above mentioned models. Not for TSV Series or 1029GNH. Monitor cable connects to HDMI, VGA, DVI & AV Video Inputs.

Related Products:

700TSH

700CSH

702CSH

702GSH

709CNH

709GNH

800TSH

802TSH

1020TSH

1022TSH

1029CNH

1219GNH

1219GNS

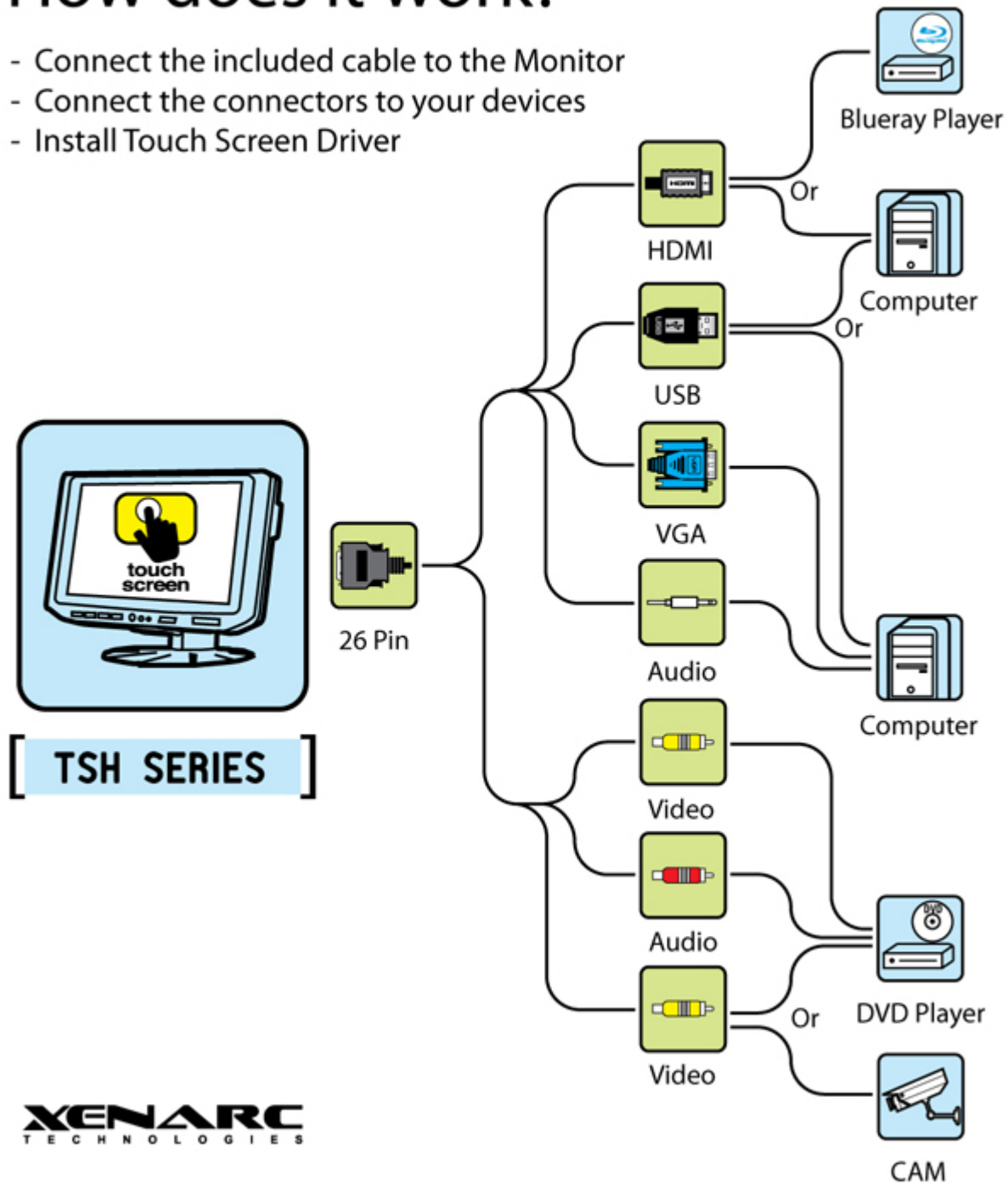
Features

26-PIN Standard Length 1.8 Meter (5.91ft/180cm) TSH/CSH/CNH/GSH Monitor HDMI, VGA, DVI & AV Input Cable

Function Diagram

How does it work?

- Connect the included cable to the Monitor
- Connect the connectors to your devices
- Install Touch Screen Driver



XENARC
TECHNOLOGIES

Package Contents

26-PIN Standard Length 1.8 Meter (5.91ft/180cm) TSH/CSH/CNH/GSH Monitor HDMI, VGA, DVI & AV Input Cable