

1029CNH 10.1" IP65 Sunlight Readable Capacitive Touchscreen LCD Monitor w/ HDMI, DVI, VGA & AV Inputs



Description

Expanding its product line into previously uncharted territories, Xenarc Technologies Corp. presents the first in its class **10.1" direct sunlight readable, IP65 dust/splash proof, capacitive touchscreen display monitor** with built-in waterproof speakers. The 1,000 NIT rated brightness of this water and dust resistant **10.1" industrial display** makes it ideal for tough outdoor applications under direct sunlight, and also protects from environmental hazards with its IP65 certified casing. This rugged, heavy duty **10.1" industrial display unit** is available with **Optical Bonding** and an **IP67** rating with the 1029GNH.

The 1029CNH offers all of the innovation and inputs as our 1020 series models along with a **Capacitive touchscreen panel**. **Capacitive sensing** provides a more responsive touch interface than resistive touch. It achieves this by using the capacitance of human skin to detect the proximity or position of the input. Proximity sensing allows the touch interaction to work even if protective glass or coating is used over the display. The **IP65 rating** on the **10.1" industrial display** provides for protection against solid objects and liquids. This **10.1" industrial display monitor** is guaranteed to prevent any amount of dust from entering the device, making it completely dust proof. Further, it is guaranteed to protect from water projected from a nozzle from having any harmful effect.

Why do our ruggedized products outlast others in extreme conditions? Why do our products have a wider temperature range and a wider voltage input range? It is because our mission is to offer our customers the best products for any situation. By utilizing high grade components, this display is

perfect for industrial and in-vehicle applications or any other applications where a small, durable, environmentally rugged display is required, including but not limited to:

- **Transportation** - Marine, Air, Heavy Vehicles, Mining, Weigh Stations, Fleet Management, Telematics, In-Car Computing, Public Transit, Cargo
- **System Integration** - Machinery Controls, Factory Automation, Environmental Monitoring, Home Automation, Military, Smart Home
- **Point of Sale** - Hospitality, Digital Signage, Self-Service Kiosks, Outdoor Kiosks and Signage, Casino
- **Data Monitoring** - Cloud, IoT, Medical, Logistics, Inventory Management, Oil & Gas/Utilities, Law Enforcement, Broadcasting, Veterinary, First Person View

Features

- IP65 / NEMA4 Rated Water and Dust Resistance
- 1,000NIT Sunlight Readable with Long Life LED Backlight
- Automatic Backlight Adjustment through Built-in Ambient Light Sensor
- Projected Capacitive Multi-Touch Touchscreen (USB)
- Anti-Reflective and Anti-Fingerprint Coating
- Plug-N-Play with Windows 7 and up and Android devices (Downloadable drivers for other OS)
- Multi-Monitor Touchscreen Support
- HDMI Input x 1 (HDCP), VGA Input (15 pin D-SUB) x 1 & Video Input x 2
- DVI Input through included DVI to HDMI Adaptor
- Audio Input x 3 / Built-In Waterproof Speaker
- 1024x600 Native Resolution, 16x9 Aspect Ratio
- Solid Capacitors for Improved Durability
- High Performance Image and Video Signal Processor
- **AISS** - Advanced Image-Scaling and Shaping
- Last Input and Power Setting Memory
- IR Remote Control
- Auto Power-On upon signal detection
- Mirror and Vertical Image Flip
- Function to Disable Front Button(s) and On Screen Text
- AV2 Auto Switching for Backup Camera
- 360° Copper Monitor Stand or U-Shape Mount
- VESA 75mm Mounting Holes
- 26-Pin Heavy-Duty Connector with Connector Locking
- Ruggedized Aluminum Casing
- Supports 9V DC ~ 36V DC
- "E" Mark Certified for Automotive use
- FCC, CE, E13 Certification
- IK07 Impact Resistant
- ROHS Compliant
- 24 Month Warranty
- 30 Day No dead Pixel Guarantee

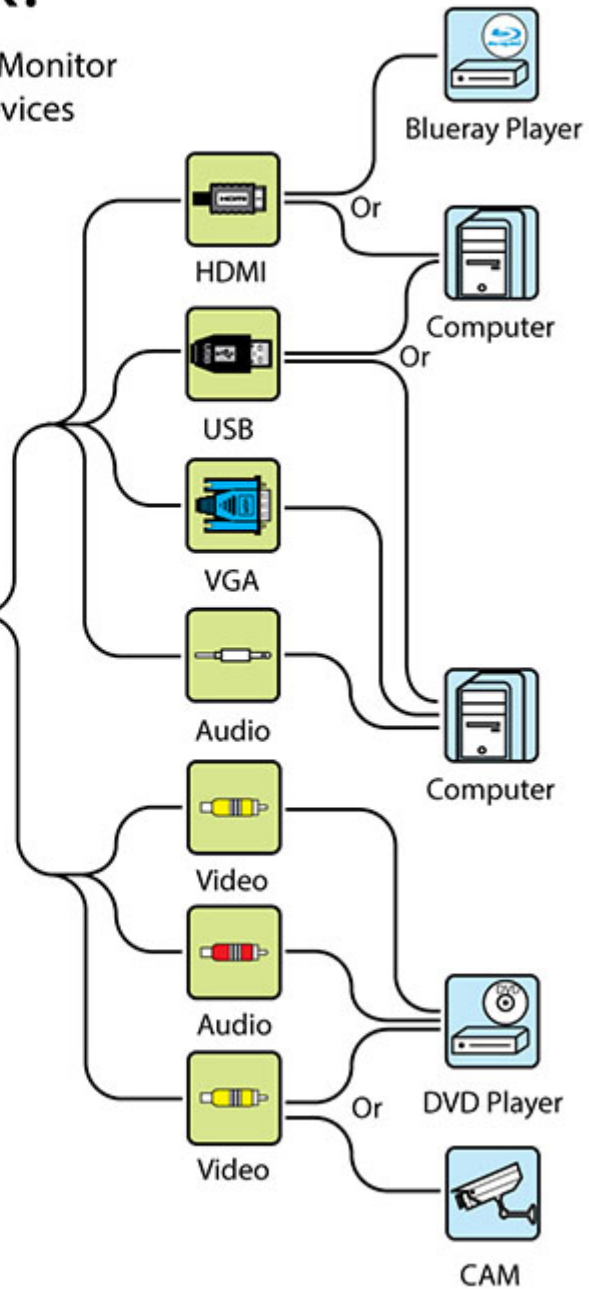
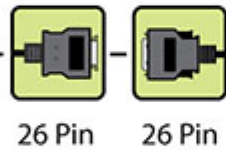
Function Diagram

How does it work?

- Connect the included cable to the Monitor
- Connect the connectors to your devices
- Install Touch Screen Driver



[CNH Series]



XENARC
TECHNOLOGIES

Package Contents

- Copper Monitor Stand or U-Shape Mount or Panel Mount Bracket
- AC Adaptor or Cigarette Lighter Car Adaptor or 5M Power Lead
- 1.8 Meter Cable or 5 Meter Cable or 2 Feet Cable with only HDMI & USB, or 2 Feet Cable with only VGA & USB

Specification

- Screen Size: Diagonal 10.1" (16:9)
- Physical Resolution: 1024 (H) x 600 (V) WXGA
- Supported Resolution: 640 x 480 ~ 1920 x 1080
- Dot Resolution: 3072 x 600 = 1,843,200 (dots)
- Brightness: 1000 cd/m²
- Contrast Ratio: 600:1
- Viewing Angle: 140° Horizontal, 120° Vertical
- Response Time (Tr/Tf): 5/20ms (Typ.)
- Touch Screen Interface: USB port
- Operating Voltage Range: DC 9V ~ 36V
- Power Supply: DC 12V
- Power Consumption: ? 20W
- Operating Temperature: -4°F ~ 158°F (-20°C ~ 70°C)
- Storage Temperature: -22°F ~ 176°F (-30°C ~ 80°C)
- Vibration: Operating Random Vibration Test (5-500Hz, 1.0Grms), IEC 60068-2-64 standard
- Shock: Operating Shock Test, 10G peak acceleration (11ms duration), IEC 60068-2-27 standard
- MTBF (Mean Time Between Failures): > 55,000 Hours
- Dimension (mm): 265.7W x 178.2H x 32.2D
- Weight (lb): 3.64